



# TTI

Todd Technologies Inc

# Rebuildable Stainless Steel Power Breathers™

Protects lubricants and equipment from moisture and particulate intrusion.  
Extends service cycles and equipment life in high-flow applications.



304 SS  
Housing

## 304 SS Construction

priced below competitors carbon steel units.  
TTI believes carbon steel should be eliminated in  
high humidity environments.

Filter  
Cartridge

## 20%

more **Microglass Media** equating  
to more dirt holding capacity.

Moisture  
Holding

## 20%

more moisture holding capacity for the  
**Power Breather Gel** compared to competitors  
and proven in head-to-head trials.

TTI  
Rebuild  
Kits

## Fully Compatible

with DES-CASE rebuildable  
breathers.

# TTI Rebuildable Stainless Steel Power Breathers™

The TTI Rebuildable Power Breather offers the ability to remove both particulate and moisture in high-flow and extreme humidity environments.

While in service, the Power Breather eliminates moisture and particulate intrusion into the system. During shutdown, the Power Breather silica gel attracts moisture by actively drying the system.

## Rebuild Kit

### Replacement Filter Cartridge

Pleated microglass filter cartridge captures airborne contaminants to 1 micron absolute.

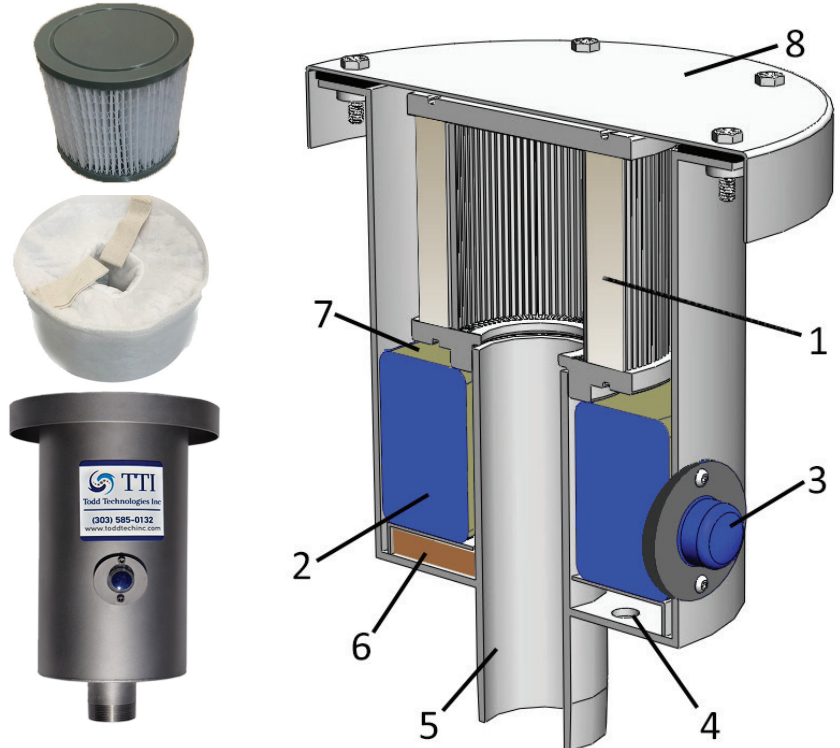
### Desiccant Bag Filter

Polypropylene bag has handles for easy removal and replacement.

### Sight Glass Indicator

Silica gel changes color from blue to pink when the unit requires rebuilding.

**Note:** Rebuild kit also includes lid gasket, sight glass gasket and oil dispersing foam pad.



## Rebuildable Breather Components

### 1-Pleated Filter Cartridge

Pleated microglass filter cartridge captures airborne contaminants to 1 micron absolute.

### 2-Desiccant

Silica gel strips moisture from incoming air.

### 3-Sight Glass Indicator

Silica gel changes color from blue to pink when the unit requires rebuilding.

### 4-Air Vents

Removable stickers keep breather inactive until installation.

### 5-Integrated Standpipe

Open-flow construction provides negligible resistance to air flow and allows oil mist to coalesce and drain back into the reservoir.

### 6-Foam Pad

Polymeric foam filter pad captures large particulate, attracts and absorbs oil, and disperses incoming air evenly across the filter cartridge and desiccant media.

### 7-Easy to Replace Desiccant Bag

Polypropylene bag has handles for easy removal.

### 8-Rugged Housing

Robust 304 SS construction eliminates chance of corrosion in high humidity environments.

## Dimensions

Model	Height inches/cm	Width inches/cm	Approx. Dry Weight lbs/kg	Amount of Desiccant lbs/kg	Max Absorption Capacity gal/L	Max. Air Flow Rate cfm	Oper. Temp.	Connect Size
TT-RS-3	11.5/29.2	10.1/25.7	16/7.26	3/1.36	0.14/0.54	85 @ 0.5psid	-20-220°F/ -29-104°C	2"
TT-RS-5	13.75/34.9	10.1/25.7	20/9.07	5/2.27	0.24/0.9	85 @ 0.5psid	-20-220°F/ -29-104°C	2"
TT-RS-9	18.25/45.4	10.1/25.7	27/12.25	9/4.08	0.43/1.62	80 @ 0.5psid	-20-220°F/ -29-104°C	2"
TT-RS-15	19.25/48.9	15.5/39.4	49/22.23	15/6.80	0.71/2.7	205 @ 0.5psid	-20-220°F/ -29-104°C	3"
TT-RS-25	22.5/57.1	15.5/39.4	64/29.03	25/11.34	1.19/4.5	140 @ 0.5psid	-20-220°F/ -29-104°C	3"
TT-RS-50	31.25/79.4	15.5/39.4	100/45.36	50/22.68	2.38/9	115 @ 0.5psid	-20-220°F/ -29-104°C	3"
TT-RS-75	39.75/101	15.5/39.4	144/65.32	75/34.02	3.57/13.5	80@ 0.5psid	-20-220°F/ -29-104°C	3"

## Rebuild Parts & Accessories

(TTI Rebuild Kits can be used in DES-CASE Rebuildable Breathers)

Model	Description
TT-RS-*-RK	Rebuildable Stainless Steel Breather Kits
TT-RS-*-F1	Rebuildable Stainless Steel Breather Microglass Filter Cartridge
TT-RS-*-D1	Rebuildable Stainless Steel Desiccant Bag
TT-RS-*-SG1	Rebuildable Stainless Steel Breather Sight Glass
TT-RS-*-P1	Rebuildable Stainless Steel Breather Foam Pad Insert
TT-RS-*-G1	Rebuildable Stainless Steel Breather Gasket Seals

**NOTE:** For part codes containing an (\*), substitute the appropriate RS model number. (Example: the part code for a rebuildable stainless steel breather kit for the TT-RS-75 would be TT-RS-75-RK.)

**TTI recommends use of a pressure relief valve on any tank or storage system.**

## Features

- 304 Stainless Steel housing
- Easy to replace desiccant bags remove moisture from incoming air
- Pleated filter removes particles to 1-micron absolute
- Eliminates rust forming condensation
- Prevents water contaminated fluid and sludge deposits
- Reduces wear and tear on equipment prolonging life

## Materials

### Housing:

304 Stainless Steel

### Moisture Absorbing Media:

Silica Gel

### Filter Media:

Microglass, Polyurethane

### Gasket/Seal:

Buna-N



### Applications

- Diesel Tank Storage
- Hydraulic Reservoir
- Bulk Storage
- Chemical & Harsh Environments

### Typical Industries

- Manufacturing
- Chemical
- Pulp & Paper
- Storage Facilities
- Mining
- Power Plants
- Wind Energy



Todd Technologies Inc

303-585-0132

*Sales@ToddTechInc.com*

*www.ToddTechInc.com*

4699 Nautilus Court South | Suite #404 | Boulder, Colorado 80301